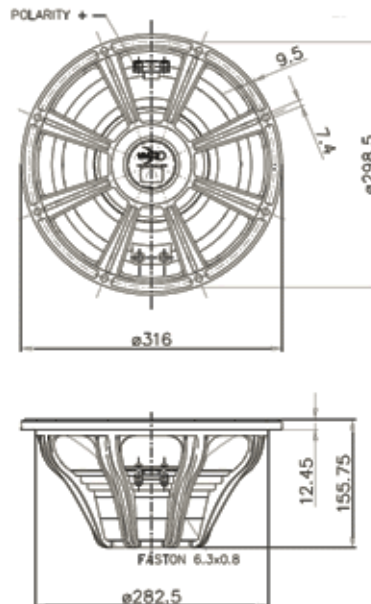




12HP1020 High Performance Series



NOMINAL SPECIFICATIONS

Nominal Diameter	300 mm (12 in)
Overall Diameter	316 mm (12.44 in)
Bolt Circle Diameter	298.5 mm (11.75 in)
Baffle Cutout Diameter	282.5 mm (11.12 in)
Depth	155.75 mm (6.13 in)
Flange and Gasket Thickness	12.45 mm (0.49 in)
Net Weight	5.6 Kg (12.32 lb)
Shipping Box (Single Carton Box)	350x350x200 mm (13.8x13.8x7.9 in)
Shipping Weight	6.2 Kg (13.64 lb)

ELECTRICAL SPECIFICATION

Minimum Impedance	7.1 Ohm
Nominal Impedance	8 Ohm
Nominal Power Handling *	700 W
Maximum Power Handling **	1400 W
Sensitivity (1W/1m)	98 dB
Frequency Range	55-3150 Hz
Voice Coil Diameter	100 mm (4 in)
Winding Material	Al
Former Material	Glass Fiber
Winding Depth	23 mm (0.9 in)
Magnetic Gap Depth	12 mm (0.47 in)
Flux Density	1.3 T

THIELE & SMALL PARAMETERS

Fs	55 Hz
Re	5.5 Ohm
Bl	24.3 N/A
Mms	86 g
Cms	0.09 mm/N
Rms	3.61 Kg/s
Qes	0.28
Qms	8.24
Qts	0.27
Vas	37.4 dm ³ (1.32 ft ³)
Sd	520 cm ² (80.6 in ²)
Xmax ***	9.5 mm
Xdamage ****	16 mm
Le	1.1 mH
Mmd	79.3 g
Eta Zero	2.18 %

ORDERING CODES

Push Terminals - 8 Ohm Version	03003940
Faston Terminals - 8 Ohm Version	03003950

NOTES

PATENTED IT2006/000327

(*) 2 Hours Test According to AES 2-1984 Rev. 2003

(**) Maximum power is defined as 3dB greater than nominal power.

(***) $X_{max} = [(winding\ depth - magnetic\ gap\ depth) / 2] + (magnetic\ gap\ depth / 3)$

(****) Maximum excursion before permanent damage

CURVES

